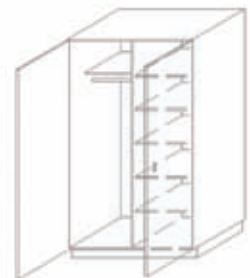
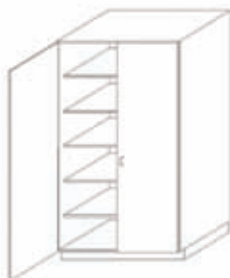
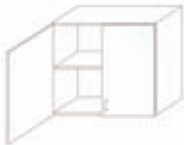
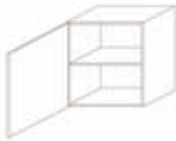


SSI CASEWORK CATALOG

1307 E. Second Avenue
P.O. Box 76071, Tampa, Florida
1-800-922-WOOD 813-247-4429
FAX: 813-248-5046
www.s-craftsmen.com





SSI CASEWORK CATALOG

1307 E. Second Avenue
P.O. Box 76071, Tampa, Florida
1-800-922-WOOD 813-247-4429
FAX: 813-248-5046
www.s-craftsmen.com



SSI CASEWORK

Table of Contents

1. Product Catalog
2. Advantages
3. QuickShip
4. Guarantee
5. Typical Section (1)
6. Typical Section (2)
7. Typical Section (3)
8. Specifications (1)
9. Specifications (2)
10. Specifications (3)
11. Specifications (4)
12. Cabinets (1)
13. Cabinets (2)
14. ----ORDER FORMS----
15. Customer Information Form
16. BOS (*Base Cabinet*)
17. BHD (*Base Cabinet*)
18. BHD2 (*Base Cabinet*)
19. BSC (*Sink Cabinet*)
20. BSC2 (*Sink Cabinet*)
21. BDC (*Base Cabinet*)
22. BDC2 (*Base Cabinet*)
23. BDD2 (*Base Cabinet*)
24. BD2 (*Drawer Base Cabinet*)
25. BD3 (*Drawer Base Cabinet*)
26. BD4 (*Drawer Base Cabinet*)
27. BF3 (*Base Cabinet*)
28. BC Filler (*Base Cabinet Filler*)
29. BFE (*Base End Panel*)
30. WOS (*Wall Cabinet*)
31. WHD (*Wall Cabinet*)
32. WHD2 (*Wall Cabinet*)
33. WC Filler (*Wall Cabinet Filler*)
34. WFE (*Wall Cabinet Filler*)
35. TOS (*Tall Cabinet*)
36. THD (*Tall Cabinet*)
37. THD2 (*Tall Cabinet*)
38. TWD (*Wardrobe Cabinet*)
39. TWD2 (*Wardrobe Cabinet*)
40. TCH (*Teacher Cabinet*)
41. TCH2 (*Teacher Cabinet*)
42. TC Filler (*Tall Cabinet Filler*)
43. TFE (*Tall Cabinet End Panel*)
44. S&S Divisions
45. Custom Millwork
46. Notes

SSI CASEWORK

PRODUCT CATALOG

SSI Casework Our quality line of modular plastic laminated casework has been specifically designed for consistent quality and economy. Our quick ship feature will help you to meet tight production schedules too.

SSI Casework Is ideal for many applications, from residential uses to commercial and institutional. Our casework is crafted from wear resistant melamine, high pressure plastic laminate, or wood veneer.

SSI Casework Combines eye catching good looks, superb construction, careful attention to detail, and modular flexibility.

SSI Casework Can be utilized in any installation, we are sure you will agree after you familiarize yourself with this catalog. The many standardized sizes and styles can be assembled into an endless number of configurations, so that SSI Casework can readily and economically adapt to your particular storage needs.



SSI CASEWORK

ADVANTAGES

SSI Casework is produced to standard details, sections, and sizes which can be integrated into almost any project.

SSI Casework allows the architect or designer the use of our quality designed casework providing high quality storage with design flexibility.

Advantages:

1. **Consistent appearance:** The wide use of modular casework products on a project gives a consistent appearance due to the standardization of materials and construction methods.
2. **Functional flexibility:** The use of modular components facilitates changes in function; cabinets can be re-arranged at a later date if necessary. It also helps meet demanding deadlines and expedites construction.
3. **Designs for specific institutional needs:** SSI Casework can be modified to incorporate designs that address specific cabinet functions and specific internal dimensions to meet identified institutional needs.
4. **Economies of standardized production:** High quality and increased productivity are achieved through standardization of materials and details using production techniques which incorporate computer technology with precision equipment.
5. **Pre-engineered hardware:** By using specially researched and tested heavy-duty hardware, modular casework identifies and meets the requirements of institutional and commercial projects.
6. **Serviceability:** Use of high-quality factory finished materials reduces maintenance during the life of the installation. Matching of replacement parts of complete cabinets is assured should the need arise due to damage or additions.
7. **Ease of installation:** The SSI Casework concept lends itself to standardized and economic installation techniques.



SSI CASEWORK

QUICKSHIP PROGRAM

The **Quick-Ship Program** allows Architects, Designers, Contractors, and others the advantage of short lead times, standardized details, a wide range of modular sizes, with consistent quality and design at a cost effective price.

The **Quick-Ship Program** is a standardized line of modular casework with a decorative wear resistant melamine finish, as illustrated in the **SSI Casework Catalog**. There are several colors and woodgrain patterns which are available. All casework items are usually available within 10-15 shop days (M-TH. Work week), from the time all information and accepted proposals are received by us. If shop drawings are required, this will extend the lead time. Optional sizes, features, colors, and other custom changes are available, but may extend production time.

The **Quick-Ship Program** is available for contractors doing projects that require a quick turn around and who have a cabinet take-off prepared for the job. Simply fill out an order form for each type of cabinet with all necessary information and deliver or fax to us. Upon receipt, we will price the work for your approval and clarify anything that may have been omitted from the order form. Once you send an accepted proposal back to us, production will begin.

Installation is available for the **Quick-Ship Program**, and should be arranged with the installation coordinator for scheduling once production is approved.

STANDARD CABINET COLORS:

Almond
Anigre
Black
Dixie Mahogany
Fog
Grand Cherry
Hard Rock Maple
White
Missouri Walnut
Nutmeg Cherry



SSI CASEWORK

GUARANTEE

All casework produced by **S&S Craftsmen, Inc.** is guaranteed to be of good material and workmanship and free from defects which render it unserviceable for the use intended. Natural variations in color or texture of wood are not to be considered as defects. The quality of SSI Casework is safeguarded while it is in our possession. To be protected by our guarantee, our casework must not be stored in damp warehouses or placed in moist or freshly plastered buildings, or be subject to abnormal heat or dryness. Permanent Air Conditioning must be in operation a sufficient length of time to "cure" building before any casework is delivered to the site. Casework must be inspected upon arrival and all claims or complaints must be filed before the casework is installed.

We agree within a period of one (1) year from delivery date, to repair or replace, without charge, any casework which is defective within the meaning of this guarantee. This guarantee is not effective if casework has been altered in any way without first obtaining our written consent. We do not agree to be responsible for any work which was not originally performed by us. We do not agree to pay charges for finishing or installing replaced casework. This guarantee is not effective if goods are repaired or replaced without first obtaining our written consent.



SSI CASEWORK

TYPICAL SECTION

1 of 3

TYPICAL MATERIALS:

SURFACE FINISHES:

3/4" thick panels are permanently laminated with wear resistant white or black melamine surfacing to inside face, exposed exterior face is finished with selected wear resistant melamine, plastic laminate or wood veneer.

EDGING:

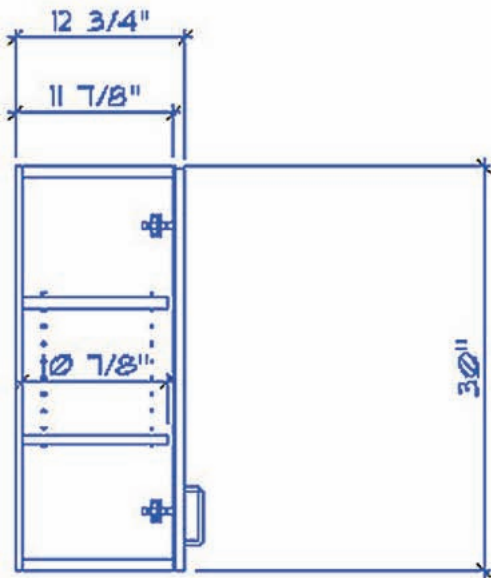
Color matched 1mm PVC to match adjacent surfaces.

CORE MATERIALS:

Particle board cores of the highest quality 45# industrial particle board.

HARDWARE:

Drawer slides - White Epoxy Coated, self closing with Silent Glide rollers for smooth quiet ride. Integrated drawer slide and side panel.
Hinges - concealed full-overlay self closing hinge, three way adjustment.
Shelf Pins - high strength plastic with steel pin.
Pulls - brushed aluminum, 3 1/2" wire pull.



COUNTERS: 1-1/2" thick (3/4" particle board w/ 3/4" build up). 4" high back splash. Laminated with horizontal grade selected laminate. 1/4" overhang at ends.

END PANELS: 3/4" thick wear resistant melamine surfaced panels with precision machining for hardware and cabinet members.

TIE DOWNS: 3/4" particle board, front tie-down banded at front edge.

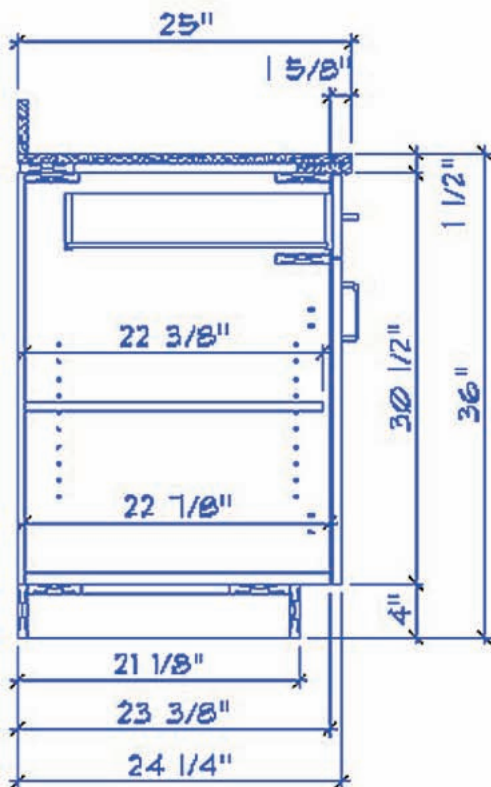
BOTTOM: 3/4" particle board, wear resistant melamine surface interior, laminated front edge, balancing sheet on underside.

ADJUSTABLE SHELVES: 3/4" thick wear resistant melamine surfaced panels, 1mm PVC edge banded front edge. (1" thick for 32" or larger).

BACKS: 1/2" thick wear resistant melamine surfaced particle board, sized to fit precisely in back construction.

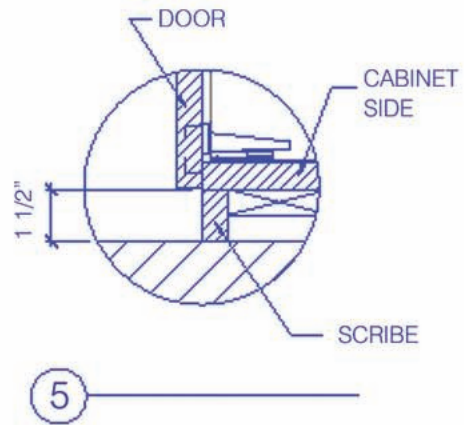
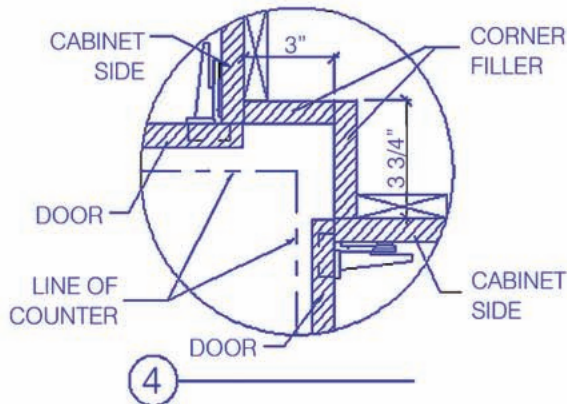
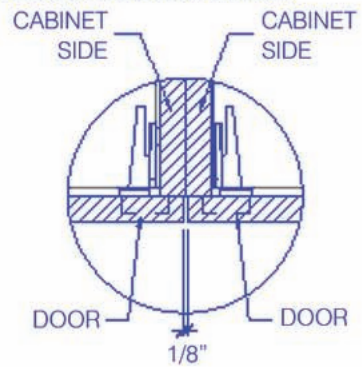
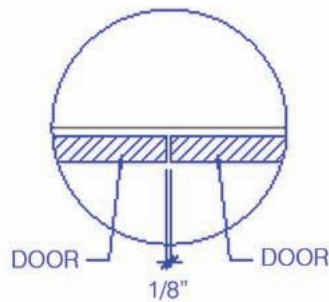
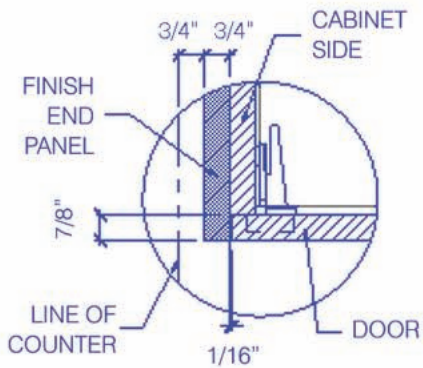
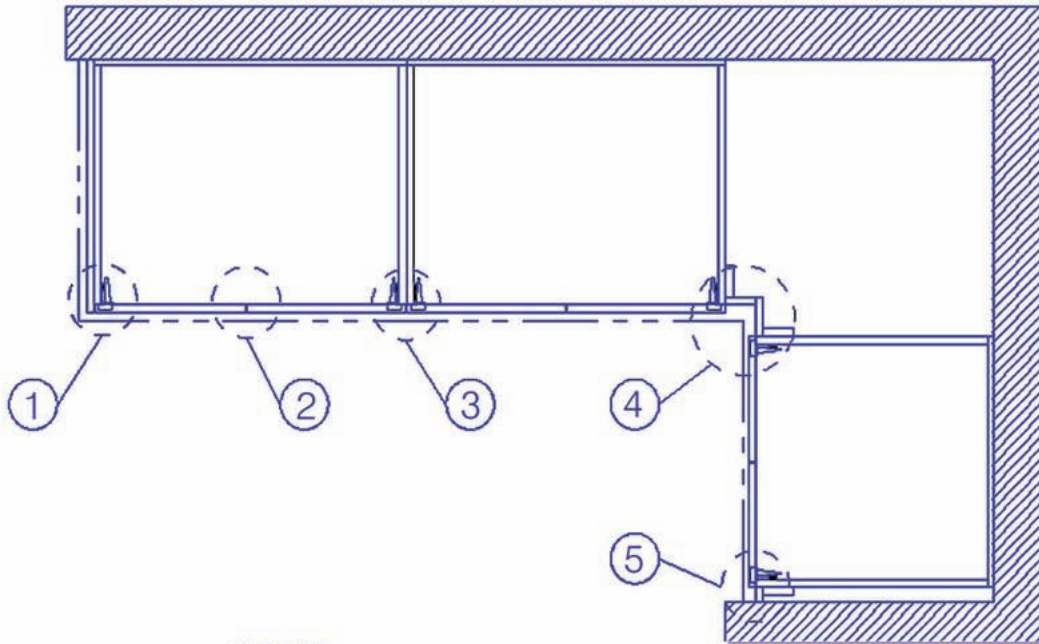
DRAWERS: Drawer body is a combination of the Grass integrated Zargen drawer slide/drawer side system with a 3/4" wear resistant melamine bottom and back panel forming and strong, durable and adjustable drawer system.

SEPARATE BASE: 3/4" plywood, 4" x 2" recessed toe space. 1" inset at finished ends. Base ships in 8 lengths.



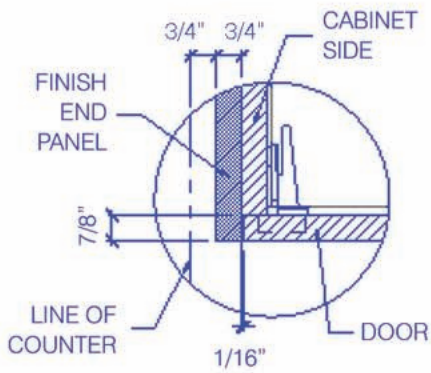
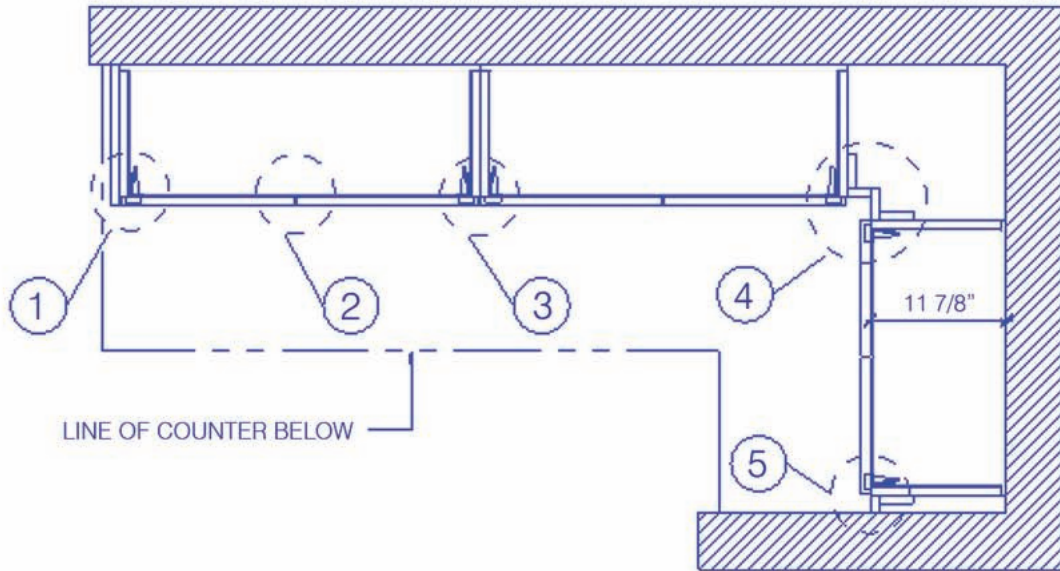
SSI CASEWORK

TYPICAL SECTION TYPICAL BASE SECTION DETAILS ^{2 of 3}

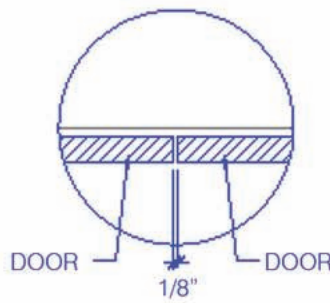


SSI CASEWORK

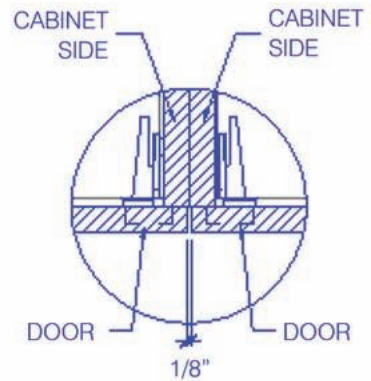
TYPICAL SECTION TYPICAL WALL SECTION DETAILS ^{3 of 3}



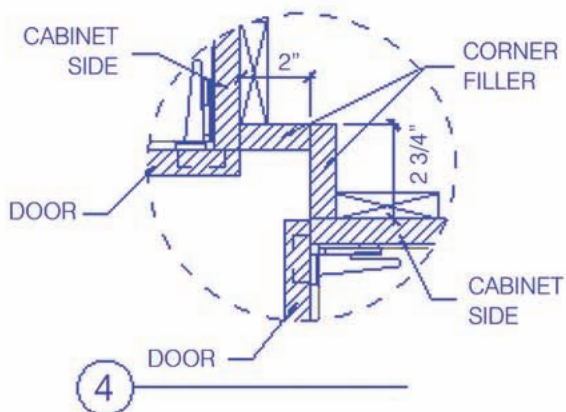
1



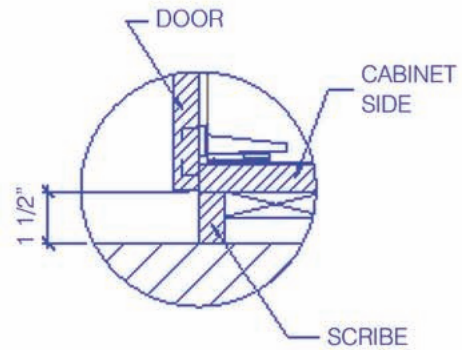
2



3



4



5



SSI CASEWORK

SPECIFICATIONS 1 of 4

All casework to be factory shipped fully assembled. Counter tops for base cabinets are shipped separately for mounting at the job site.

All exposed edges of cabinets to be self edged in matching 1mm PVC edgeband, including all edges of doors and drawer fronts. Cabinet Base to have recessed toe space.

1. Standards

Basis of requirement shall be SSI Casework, as manufactured by S&S Craftsmen, Inc., 1307 2nd Ave., Tampa, Florida 33605.

2. General Conditions

All provisions of the General Conditions of the complete set of specifications shall be considered part of this section.

3. Work Included

This section of the specifications shall include all materials, hardware and labor for fabrication of factory built melamine, plastic laminate, or wood veneer casework.

4. Work Not Included

All plumbing, electrical, HVAC and fixtures related to specified casework to be provided by others. Unless required by the details and specifications regarding casework, the manufacturer shall not:

- A. Prepare for any electrical, telephone, mechanical or plumbing equipment;
- B. Furnish common wall blocking for the support of wall mounted casework;
- C. Supply any vinyl or other base finish material;
- D. Furnish dust panels;

5. Drawings And Samples

Shop drawings to be provided by factory upon receipt of order for architectural approval prior to fabrication. Architect and contractor to review shop drawings for conformance with design intent. Changes, modifications, and alternates to be approved during shop drawing review.

6. Construction

Details shall conform to the flush overlay cabinet construction design as indicated in the SSI Casework catalog.

7. Materials

A. Finishes

- All exposed exterior surfaces of cabinets including exterior surfaces of drawer fronts and doors to be wear resistant melamine, 1/32" vertical grade high pressure laminate or wood veneer. All unexposed exterior surfaces to be faced with a balancing sheet. Cabinet interiors and inside faces of doors and drawer fronts to be surfaced with wear resistant white or black melamine surfacing or white or black cabinet liner balancing sheet, as required. All counter tops to be laminated with 1/16" horizontal surface grade high pressure laminate and to be self edged. Cabinet backs to be surfaced with wear resistant white or black melamine.

B. Particle Board

- All particle board to be 3/4" thick, 45 lbs. per cubic foot density. All shelves exceeding 32" spans without intermediate supports are to be made of minimum 1" thick particle board.

8. Hardware

A. Hinges

- Flush overlay; heavy duty, all metal, concealed type, fully adjustable, self closing.
- Three hinges per door over 36" high, two per door under 36" high.

B. Drawer and Door Pulls

- Brushed aluminum wire pull, (US 28 Finish), 5/16" diameter, 3 1/2" c.c., 3 13/16" overall.
- Pulls to be through-bolted from backside.

C. Drawer Slides - Grass Zargen integrated drawer system

- White Epoxy Coated, self closing with Silent Glide rollers for smooth quiet ride. Integrated drawer slide and side panel. Built-in stop keeps drawer front from impacting face of cabinet. 3-D adjustment feature allows adjustment of drawer front in three directions. Double stop feature prevents the drawer from falling out while being extended and allows the drawer to be locked in the open position. 100 lb. load rating.
- Three hinges per door over 36" high, two per door under 36" high.

D. Hardware for Adjustable Shelves

- Line bored holes at 32mm vertical spacing with metal pin supports.
- Pulls to be through-bolted from backside.

E. Hanger Rods

- 1" diameter, nickel plated, steel tubing

9. Casework Component Specifications

A. Cabinet Top

- 3/4" melamine finished particle board in white or black meeting NEMA standards.
Exposed top surfaces of units up to 84" high to have same finish as adjacent exposed surfaces.

B. Cabinet Bottom

- 3/4" melamine finished particle board in white or black meeting NEMA standards.

C. Cabinet Ends

- 3/4" melamine finished particle board in white or black meeting NEMA standards.
- Exposed end surfaces of units to have same finish as adjacent exposed surfaces.

D. Cabinet Back

- 1/2" wear resistant melamine finished particle board in white or black meeting NEMA standards.
- When finished backs are specified, exterior surfaces to have same finish as adjacent exposed surfaces.

E. Cabinet Shelves

- 3/4" wear resistant melamine finished particle board in white or black meeting NEMA standards.
- Shelves exceeding 32" long shall be minimum 1" thick stock.

F. Exposed Cabinet Interiors

- Where casework is shown as open, without doors, the exposed interior surfaces of the case shall be considered an exposed surface and all exposed surfaces will be finished same as adjacent exterior surfaces.
- Pulls to be through-bolted from backside.

G. Cabinet Bases

- 3/4" plywood, 4" high with 2" recessed toe space from front edge of case.
- Visible exterior sides to be left unfinished for base finish material by others.
- 1" Recess at exposed ends.
- Bases to be shipped separately in maximum of 8 foot assembled sections.

H. Cabinet Edges

- All exposed panel stock edges to be self edged with matching PVC edgeband.
- All front edges of case body and door edges to be edged with matching 1 mm PVC edgeband as indicated on the drawing.

SSI CASEWORK

SPECIFICATIONS 4 of 4

I. Cabinet Doors

- Doors to be 3/4" thick particle board.
- Exterior surfaces of doors to be wear resistant melamine, 1/32" high pressure laminate, or wood veneer.
- Interior surface to be laminated with wear resistant melamine or white or black cabinet liner balancing sheet.
- 3/4" melamine finished particle board in white or black meeting NEMA standards.
- Edges to be self edged with matching 1mm PVC edgeband.
- Edges to be edge banded last.

J. Drawer Body

- Drawer bottoms and back to be 3/4" wear resistant melamine.
- Drawer sides are part of the Grass integrated Zargen drawer system.

K. Drawer Front

- Fronts to be 3/4" thick particle board.
- Exterior surface of front to be melamine, laminated with 1/32" high pressure plastic laminate or wood veneer.
- Interior surface to be laminated with wear resistant melamine or white or black cabinet liner balancing sheet.
- Edges to be self edged with matching 1mm PVC edgeband.

L. Counter Tops

- All counter tops for base cabinets to be 1 1/2" thick.
- Top surface to be laminated with 1/16" thick horizontal grade high pressure plastic laminate.
- Underside of top to be laminated with a balancing sheet.
- Back splashes and end splashes to be 4" high (sent loose), laminated with 1/16" high pressure plastic laminate on exposed surfaces and laminated with a balancing sheet on concealed surfaces.
- All tops to be edged with high pressure plastic laminate.
- Sink cut-outs provided when specified.



SSI CASEWORK

CABINETS

1 of 2



**BOS: Base Cabinet, Open,
1 Adjustable Shelf,
Standard Depth: 23 3/8"
w/o doors *Order Form pg. 16***



**BHD: Base Cabinet, 1 Door,
1 Adjustable Shelf,
Standard Depth: 23 3/8"
w/o doors *Order Form pg. 17***



**BHD2: Base Cabinet, 2 Doors,
1 Adjustable Shelf,
Standard Depth: 23 3/8"
w/o doors *Order Form pg. 18***



**BSC: Sink Cabinet, 1 Door,
1 False Drawer,
Standard Depth: 23 3/8"
w/o doors *Order Form pg. 19***



**BSC2: Sink Cabinet, 2 Doors,
1 False Drawer,
Standard Depth: 23 3/8"
w/o doors *Order Form pg. 20***



**BDC: Base Cabinet, 1 Door,
1 Drawer,
1 Adjustable Shelf,
Standard Depth: 23 3/8"
w/o doors *Order Form pg. 21***



**BDC2: Base Cabinet, 2 Door,
1 Drawer, 1 Adjustable Shelf,
Standard Depth: 23 3/8"
w/o doors *Order Form pg. 22***



**BDD2: Base Cabinet, 2 Doors,
2 Drawers,
1 Adjustable Shelf,
Standard Depth: 23 3/8"
w/o doors *Order Form pg. 23***



**BD2: Drawer Base Cabinet,
2 Drawers,
Standard Depth: 23 3/8"
w/o doors *Order Form pg. 24***



**BD3: Drawer Base Cabinet,
3 Drawers,
Standard Depth: 23 3/8"
w/o doors *Order Form pg. 25***



**BD4: Drawer Base Cabinet,
4 Drawers,
Standard Depth: 23 3/8"
w/o doors *Order Form pg. 26***



**BF3: Drawer Base Cabinet,
3 Drawers,
Standard Depth: 23 3/8"
w/o doors *Order Form pg. 27***



**BC Filler: Base Cabinet Filler
3/4" Thick *Order Form pg. 28***



**BFE: Base Cabinet Finished
End Panel 3/4" Thick
*Order Form pg. 29***



**WOS: Wall Cabinet, Open,
1 Adjustable Shelf,
Standard Depth: 11 7/8", 15 7/8"
*Order Form pg. 30***



**WHD: Wall Cabinet, 1 Door,
1 Adjustable Shelf,
Standard Depth: 11 7/8", 15 7/8"
*Order Form pg. 31***



**WHD2: Wall Cabinet, 2 Doors,
1 Adjustable Shelf,
Standard Depth: 11 7/8", 15 7/8"
w/o doors *Order Form pg. 32***



**WC Filler: Wall Cabinet Filler
3/4" Thick *Order Form pg. 33***



**WFE: Wall Cabinet Finished End Panel
3/4" Thick *Order Form pg. 34***

SSI CASEWORK

CABINETS

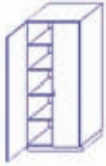
2 of 2



TOS: Tall Open Cabinet,
5 Adjustable Shelves,
Standard Depth: 23 3/8", 15 7/8", 11 7/8"
Order Form pg.35



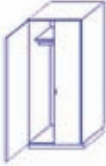
THD: Cabinet, 1 Door,
5 Adjustable Shelves,
Standard Depth: 23 3/8", 15 7/8", 11 7/8"
Order Form pg. 36



THD: Cabinet, 2 Doors,
5 Adjustable Shelves,
Standard Depth: 23 3/8", 15 7/8", 11 7/8"
Order Form pg. 37



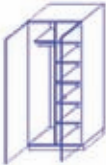
TWD: Wardrobe Cabinet, 1 Door,
1 Fixed Shelf, 1 Rod,
Standard Depth: 23 3/8"
Order Form pg. 38



TWD2: Wardrobe Cabinet, 2 Doors,
1 Fixed Shelf, 1 Rod,
Standard Depth: 23 3/8"
Order Form pg. 39



TCH: Teacher Cabinet, 1 Door,
5 Adjustable Shelves,
1 Divider, 1 Fixed Shelf, 1 Rod
Standard Depth: 23 3/8"
Order Form pg. 40



TCH2: Teacher Cabinet, 2 Doors,
5 Adjustable Shelves,
1 Divider, 1 Fixed Shelf, 1 Rod
Standard Depth: 23 3/8"
Order Form pg. 41



TC Filler: Tall Cabinet Filler,
3/4" Thick
Order Form pg. 42



TFE Tall Cabinet
Finished End Panel,
3/4" Thick
Order Form pg. 43



SSI CASEWORK

CASEWORK ORDER FORMS

SSI CASEWORK CUSTOMER INFORMATION FORM

mailing address: S&S Craftsmen Inc. P.O. Box 76071 Tampa, Fl. 33675-6701
 Tel: (813) 247-4429 Fax: (813) 248-5046 1-800-922-WOOD (1-800-922-9663)
 E-Mail: info@s-craftsmen.com

Name: _____

Company: _____

Address: _____

City: _____ State: _____

Country: _____ Zip: _____

Phone: _____ Fax: _____

E Mail: _____

Trade or Profession: _____
(Building Contractor, Architect, Cabinet Shop, End User, Other)

Yes! I would like to receive a free printed moulding catalog.

Additional Information:

SSI CASEWORK ORDER FORM



BDC

Base Cabinet, 1 Door, 1 Drawer, 1 Adjustable Shelf, Standard Depth: 23 3/8"

Quantity: _____ Width: _____ Height: _____ Optional Depth: _____

CABINET EXPOSED SURFACES FINISH SELECTION

Color: Almond Anigre Dixie Mahogany Fog Grand Cherry Black
 Hard Rock Maple White Missouri Walnut Nutmeg Cherry
 Custom: Laminate Manufacturer: _____ Color: _____

Case Interior Finish: White Melamine Black Melamine

Case Edging: 1mm PVC to match case finish VT Laminate Flat Edge

Shelf Edging: 1mm PVC to match case interior

Door Edging: 1mm PVC to match case finish VT Laminate Flat Edge to match case finish

Drawer Finish: White Melamine Black Melamine

Drawer Slide: 100lb. Self Closing, White Epoxy Coated integrated drawer slide with side panel 100lb. Self Closing, Black Epoxy Coated integrated drawer slide with side panel

Pull: 3 1/2" Wire Pull (Brushed Aluminum) Pull by others (*enter custom mfr. below*)

Custom: Manufacturer: _____ Model#: _____ Color: _____

Hinge: Concealed Full-Overlay self closing hinge

Additional Information:

SSI CASEWORK ORDER FORM



BDC2

Base Cabinet, 2 Doors, 1 Drawer, 1 Adjustable Shelf, Standard Depth: 23 3/8"

Quantity: _____ Width: _____ Height: _____ Optional Depth: _____

CABINET EXPOSED SURFACES FINISH SELECTION

Color: Almond Anigre Dixie Mahogany Fog Grand Cherry Black
 Hard Rock Maple White Missouri Walnut Nutmeg Cherry
 Custom: Laminate Manufacturer: _____ Color: _____

Case Interior Finish: White Melamine Black Melamine

Case Edging: 1mm PVC to match case finish VT Laminate Flat Edge

Shelf Edging: 1mm PVC to match case interior

Door Edging: 1mm PVC to match case finish VT Laminate Flat Edge to match case finish

Drawer Finish: White Melamine Black Melamine

Drawer Slide: 100lb. Self Closing, White Epoxy Coated integrated drawer slide with side panel 100lb. Self Closing, Black Epoxy Coated integrated drawer slide with side panel

Pull: 3 1/2" Wire Pull (Brushed Aluminum) Pull by others *(enter custom mfr. below)*

Custom: Manufacturer: _____ Model#: _____ Color: _____

Hinge: Concealed Full-Overlay self closing hinge

Additional Information:

SSI CASEWORK ORDER FORM



BDD2

Base Cabinet, 2 Doors, 2 Drawers, 1 Adjustable Shelf, Standard Depth: 23 3/8"

Quantity: _____ Width: _____ Height: _____ Optional Depth: _____

CABINET EXPOSED SURFACES FINISH SELECTION

Color: Almond Anigre Dixie Mahogany Fog Grand Cherry Black
 Hard Rock Maple White Missouri Walnut Nutmeg Cherry
 Custom: Laminate Manufacturer: _____ Color: _____

Case Interior Finish: White Melamine Black Melamine

Case Edging: 1mm PVC to match case finish VT Laminate Flat Edge

Shelf Edging: 1mm PVC to match case interior

Door Edging: 1mm PVC to match case finish VT Laminate Flat Edge to match case finish

Drawer Finish: White Melamine Black Melamine

Drawer Slide: 100lb. Self Closing, White Epoxy Coated integrated drawer slide with side panel 100lb. Self Closing, Black Epoxy Coated integrated drawer slide with side panel

Pull: 3 1/2" Wire Pull (Brushed Aluminum) Pull by others (*enter custom mfr. below*)

Custom: Manufacturer: _____ Model#: _____ Color: _____

Hinge: Concealed Full-Overlay self closing hinge

Additional Information:

SSI CASEWORK ORDER FORM



BD2

Drawer Base Cabinet, 2 Drawers, Standard Depth: 23 3/8"

Quantity: _____ Width: _____ Height: _____ Optional Depth: _____

CABINET EXPOSED SURFACES FINISH SELECTION

Color: Almond Anigre Dixie Mahogany Fog Grand Cherry Black
 Hard Rock Maple White Missouri Walnut Nutmeg Cherry
 Custom: Laminat Manufacturer: _____ Color: _____

Case Interior Finish: White Melamine Black Melamine

Case Edging: 1mm PVC to match case finish VT Laminat Flat Edge

Drawer Finish: White Melamine Black Melamine

Drawer Slide: 100lb. Self Closing, White Epoxy Coated integrated drawer slide with side panel 100lb. Self Closing, Black Epoxy Coated integrated drawer slide with side panel

Pull: 3 1/2" Wire Pull (Brushed Aluminum) Pull by others *(enter custom mfr. below)*

Custom: Manufacturer: _____ Model#: _____ Color: _____

Additional Information:

SSI CASEWORK ORDER FORM



Base Cabinet Finished End Panel, 3/4" Thick

Quantity: _____ Width: _____ Height: _____ Optional Depth: _____

CABINET EXPOSED SURFACES FINISH SELECTION

Color: Almond Anigre Dixie Mahogany Fog Grand Cherry Black
 Hard Rock Maple White Missouri Walnut Nutmeg Cherry
 Custom: Laminate Manufacturer: _____ Color: _____

Edging: 1mm PVC to match case finish VT Laminate Flat Edge to match case finish

Additional Information:

SSI CASEWORK ORDER FORM

WC Filler

Wall Cabinet Filler, 3/4" Thick

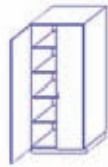
Quantity: _____ Width: _____ Height: _____ Optional Depth: _____

CABINET EXPOSED SURFACES FINISH SELECTION

Color: Almond Anigre Dixie Mahogany Fog Grand Cherry Black
 Hard Rock Maple White Missouri Walnut Nutmeg Cherry
 Custom: Laminate Manufacturer: _____ Color: _____

Additional Information:

SSI CASEWORK ORDER FORM



**THD2 Tall Cabinet, 2 Doors,
5 Adjustable Shelves**
Standard Depth: 23 3/8", 15 7/8", 11 7/8"

Quantity: _____ Width: _____ Height: _____ Optional Depth: _____

CABINET EXPOSED SURFACES FINISH SELECTION

Color: Almond Anigre Dixie Mahogany Fog Grand Cherry Black
 Hard Rock Maple White Missouri Walnut Nutmeg Cherry
 Custom: Laminate Manufacturer: _____ Color: _____

Case Interior Finish: White Melamine Black Melamine

Case Edging: 1mm PVC to match case finish VT Laminate Flat Edge

Shelf Edging: 1mm PVC to match case interior

Door Edging: 1mm PVC to match case finish VT Laminate Flat Edge to match case finish

Pull: 3 1/2" Wire Pull (Brushed Aluminum) Pull by others (*enter custom mfr. below*)

Custom: Manufacturer: _____ Model#: _____ Color: _____

Hinge: Concealed Full-Overlay self closing hinge

Additional Information:

SSI CASEWORK ORDER FORM



TWD Wardrobe Cabinet, 1 Door,
1 Fixed Shelf, 1 Rod
Standard Depth: 23 3/8"

Quantity: _____ Width: _____ Height: _____ Optional Depth: _____

CABINET EXPOSED SURFACES FINISH SELECTION

Color: Almond Anigre Dixie Mahogany Fog Grand Cherry Black
 Hard Rock Maple White Missouri Walnut Nutmeg Cherry
 Custom: Laminate Manufacturer: _____ Color: _____

Case Interior Finish: White Melamine Black Melamine

Case Edging: 1mm PVC to match case finish VT Laminate Flat Edge

Shelf Edging: 1mm PVC to match case interior

Door Edging: 1mm PVC to match case finish VT Laminate Flat Edge to match case finish

Pull: 3 1/2" Wire Pull (Brushed Aluminum) Pull by others (*enter custom mfr. below*)

Custom: Manufacturer: _____ Model#: _____ Color: _____

Hinge: Concealed Full-Overlay self closing hinge

Hanger Rod: 1" diameter, Nickel Plated, Steel Tubing

Additional Information:

SSI CASEWORK ORDER FORM



TWD2 Wardrobe Cabinet, 2 Doors,
1 Fixed Shelf, 1 Rod
Standard Depth: 23 3/8"

Quantity: _____ Width: _____ Height: _____ Optional Depth: _____

CABINET EXPOSED SURFACES FINISH SELECTION

Color: Almond Anigre Dixie Mahogany Fog Grand Cherry Black
 Hard Rock Maple White Missouri Walnut Nutmeg Cherry
 Custom: Laminate Manufacturer: _____ Color: _____

Case Interior Finish: White Melamine Black Melamine

Case Edging: 1mm PVC to match case finish VT Laminate Flat Edge

Shelf Edging: 1mm PVC to match case interior

Door Edging: 1mm PVC to match case finish VT Laminate Flat Edge to match case finish

Pull: 3 1/2" Wire Pull (Brushed Aluminum) Pull by others (*enter custom mfr. below*)

Custom: Manufacturer: _____ Model#: _____ Color: _____

Hinge: Concealed Full-Overlay self closing hinge

Hanger Rod: 1" diameter, Nickel Plated, Steel Tubing

Additional Information:

SSI CASEWORK ORDER FORM



TCH2 Teacher Cabinet, 2 Doors,
5 Adjustable Shelves, 1 Divider
1 Fixed Shelf, 1 Rod
Standard Depth: 23 3/8"

Quantity: _____ Width: _____ Height: _____ Optional Depth: _____

CABINET EXPOSED SURFACES FINISH SELECTION

Color: Almond Anigre Dixie Mahogany Fog Grand Cherry Black
 Hard Rock Maple White Missouri Walnut Nutmeg Cherry
 Custom: Laminate Manufacturer: _____ Color: _____

Case Interior Finish: White Melamine Black Melamine

Case Edging: 1mm PVC to match case finish VT Laminate Flat Edge

Shelf Edging: 1mm PVC to match case interior

Door Edging: 1mm PVC to match case finish VT Laminate Flat Edge to match case finish

Pull: 3 1/2" Wire Pull (Brushed Aluminum) Pull by others *(enter custom mfr. below)*
 Custom: Manufacturer: _____ Model#: _____ Color: _____

Hinge: Concealed Full-Overlay self closing hinge

Hanger Rod: 1" diameter, Nickel Plated, Steel Tubing

Additional Information:

SSI CASEWORK

S&S CRAFTSMEN INC. DIVISIONS

S&S Craftsmen, Inc. is one of the largest and most reputable millwork companies in the State of Florida. In business since 1980, we are known for our high quality products and professional business practices. Our products can be found in some of the finest office interiors, corporate offices, country clubs, eating establishments and residences in the country. S&S Craftsmen, Inc. is a long-standing member of the Architectural Woodwork Institute and our products meet or exceed the A.W.I.'s quality standards. Our products are available for shipment throughout the United States.

S&S Craftsmen, Inc. is a diversified company operating as three separate divisions:

CONTRACT DIVISION - If a project fits our criteria and schedule we will take your plans and specifications and provide you with a labor and material proposal. Our proposal will include all engineering, materials, manufacturing, finishing, delivery and installation for a complete project. When you contract with S&S Craftsmen, Inc. you can rest assured that this is one part of the project you won't have to worry about. Generally speaking, our contract work is negotiated and limited to within the State of Florida.

MOULDING DIVISION - S&S Craftsmen, Inc. manufactures SSI Mouldings. SSI Mouldings is our trademarked line of over 1300 profiles as shown on this website in our SSI Mouldings online catalog. You can view mouldings in 3D and get free downloads in either DWG or DXF file formats.

You can also request the printed version of our catalog by filling out the information on the [Contact Us](http://www.s-craftsmen.com/contact.htm) page on <http://www.s-craftsmen.com/contact.htm>. SSI Mouldings are made to order and are usually available for shipment in 5 - 7 working days in most domestic wood species. We have 100 Poplar moulding profiles and 25 Red Oak moulding profiles in stock ready for shipment within 24 hours, including S4S.

WINDOWS & DOORS DIVISION - S&S Craftsmen, Inc. is proud to represent Weather Shield Mfg., Inc. as a Premiere dealer for their impressive product line of wood and vinyl windows and doors for residential and commercial use in our area. We have two showrooms in Florida; in Tampa at 1307 East Second Avenue (1-800-922-9663) and in Bonita Springs at 28200 Old 41 Road Suite 202 (239-498-4993). The showrooms contain actual physical samples of the fine products offered by Weather Shield. Call ahead for an appointment to experience the best windows and doors in the industry and see for yourself why "There's more to see in a Weather Shield window".



SSI CASEWORK

CUSTOM MILLWORK

S&S Craftsmen, Inc. Is a highly versatile company with capabilities to manufacture all types of custom woodwork including casework, cabinets, paneling, and wainscoting. Wood veneer, solid wood and plastic laminate options are available. Our experience in this field is quite extensive and includes some of the finest Corporate Offices, Hospitality, Country Clubs, Religious, and Institutional applications.

Upon receipt of plans and specifications, we will make a detailed list of materials necessary to complete the scope of work and enter this information into our custom estimating software. The software takes into consideration economies of scale labor databases based on the size and quantities of materials being manufactured for your project. The software allows us to discount labor cost automatically and passes those savings on to our customers when calculating the final cost. The software also provides a scope sheet sorted by location to use as an attachment to our proposals. The scope sheets are helpful when comparing "apples for apples" or for review of a complete scope.

Our engineering department is known for producing some of the best shop drawings in the industry. Our engineers are highly experienced and motivated personnel who enjoy the daily challenges of engineering custom woodwork from conception to reality. We are both modern technically and versatile in a practical sense. We produce both CAD and manual type shop drawings. Our CAD drawings are produced using the latest AutoCAD and Microvellum software, and an HP plotter but there are times when doing manual drawings makes more sense.

Our Contract Division proposals will always include installation. We have long-standing relationships with some of the best finish carpentry crews in the country. We feel that this part of the process is so important that it must be included in our scope of responsibilities if the final product is to meet expectations.

Start to finish, **S&S Craftsmen, Inc.** is your best bet to get it done right and on time.





S&S CRAFTSMEN, INC.

Your leader in architectural millwork & moulding is pleased to announce our newest service, custom CNC routing, carving & panel processing.

With our new Anderson Stratos Pro we have the capabilities to process panels up to 64" x 145".

Driving the router is the latest releases of AutoCAD, Microvellum and Alpha CAM, software.



Here is a list of just some of the labor saving services we can offer. We are only limited by your imagination.

- Cutting, routing and duplication of custom parts.
- Decorative custom door or wall panels.
- Decorative custom balusters.
- Decorative custom brackets.
- Decorative custom out lookers or corbels.
- Decorative custom railing inserts.
- Decorative custom appliqués.
- Column fluting.
- Routing reveals.
- Custom signage, routed lettering (any windows type font).
- Radius wall plates for curved walls or fixtures.
- Radius templates.
- Carvings
- "Cookie Cutting" multiple shape objects.

Materials utilized are Solid Wood, MDF, Plywood and PVC.

We are only limited by your imagination.

For pricing information contact the office at 813-247-4429 or 1-800-922-9663.